

1

2

3

4

A

A

B

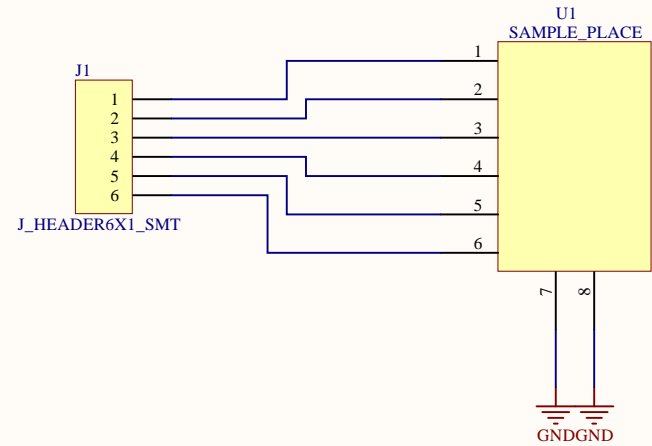
B

C

C

D

D



Title		
19-023 SAMPLE BOARD MATTIAS		
Size	Number	Revision
A4		
Date:	15-10-2019	Sheet of
File:	M:\ud\...19-023 Sample board Mattias Matthias SchDoc	

1

2

3

4